



Introduction Presentation



Partners

We have been working together since 2011. Gravity Robotik Engineering Inc. was founded by 5 friends In 2015.



Ali
Kılıçarslan

M. Barış
Bilgin

Ferhat
Aksakal

Yunus
Dürümlü

Mustafa
Özdemir

K. Göker
Akgün



Co-Founder

Co-Founder

Co-Founder

Co-Founder

Co-Founder

Co-Founder & General
Manager



Projects Manager

General Manager
&
Sales and Marketing

Automation Department
Manager
&
Simulation

Finance and Accounting
&
Robotics Projects Manager

Mechanical Department
Manager

Chief of Robot
Programmers

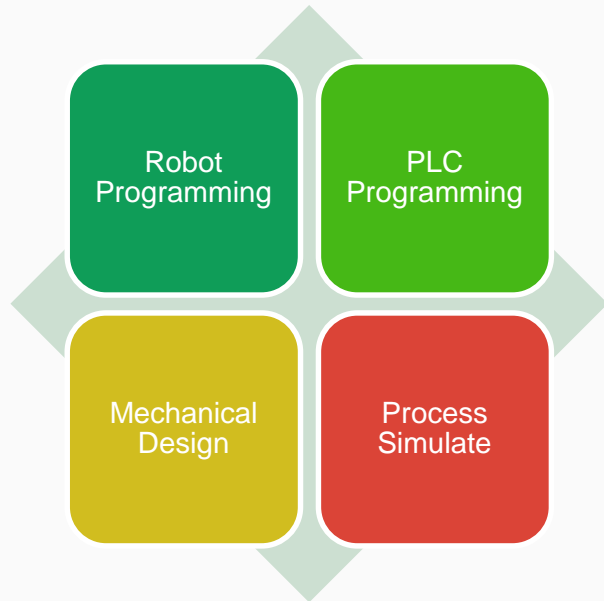
What is our goal?

We have been working with Gravity Robotic in Turkey since 2011 and we want to continue our experience and success in Germany with DA Dynamic Automation GmbH.

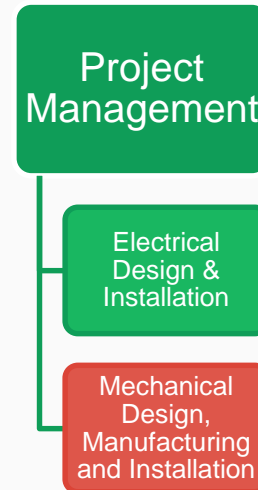
We continue this partnership by growing in Germany.

What are our services?

Today Dynamic Automation



In 2024 Q3 Dynamic Automation



Today we are getting support for this topics from Inc.

What are our experiences?

SECTORAL BASIS

- Car Manufacturing
 - Body Production
 - Paint Shop
 - Final Assembly
- Battery Production
- Powertrain Manufacturing
- Pick and Place Processes

ON APPLICATION BASIS

- Handling
- Spot Welding
- Sealing
- Arc Welding
- Hemming
- Camera Applications
- Offline Analysis



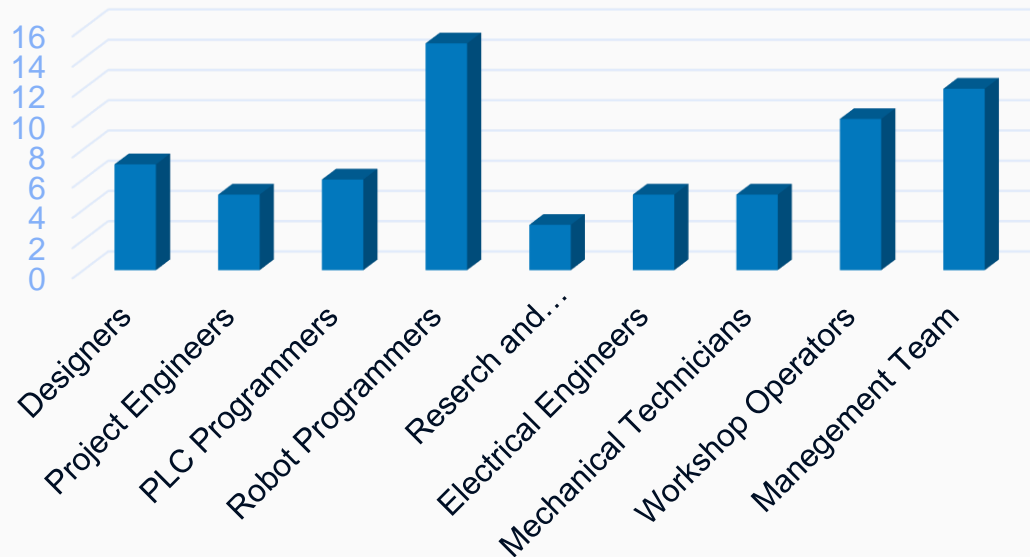
GRAVITY
ROBOTIK - MÜHENDİSLİK
Design your path to the future

&

Dynamic
AUTOMATION GMBH

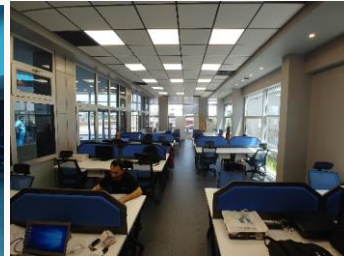
Gravity Teams

Team Distribution



Designers	7
Project Engineers	5
PLC Programmers	6
Robot Programmers	15
Reserch and Development	3
Electrical Engineers	5
Mechanical Technicians	5
Workshop Operators	10
Manegement Team	12

Gravity Plant



750 m² operational office building
1000 m² indoor manufacturing field
1000 m² outdoor field

Gravity Mechanics



Design

Manufacturing

Installations

Welding operations

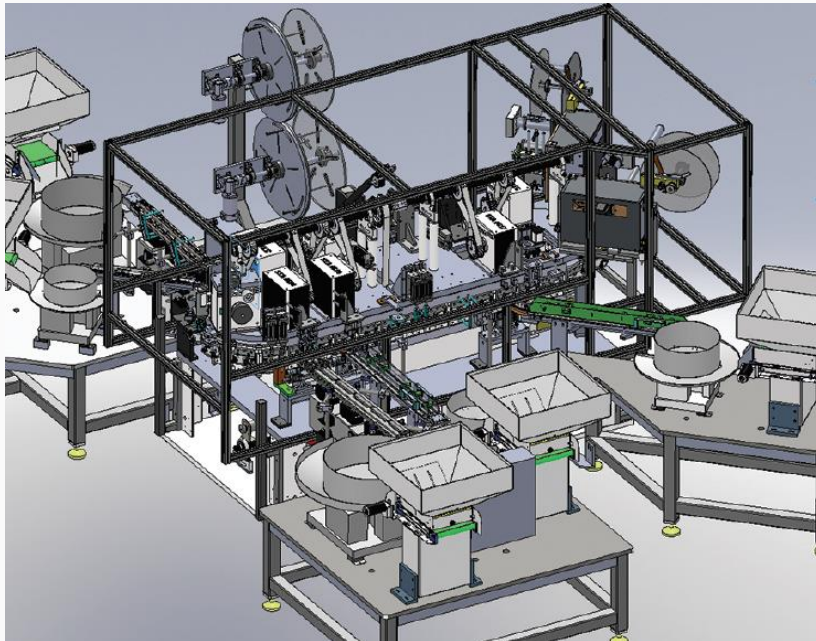
Quality Checks

Mesurements Check

Statics Analysis

Turnkey mechanical projects are implemented, starting from the design phase, covering all steps such as manufacturing, assembly, painting, measurements, installations.

MECHANICS Design



Gravity works with 7 designers and Design Manager.

Designers have automotive industry experience.

Fixtures, grippers, conveyors, special machine and equipment designs

Gravity Installations

Gravity is an Engineering company and have dedicated sub-contractors for mechanical installation.



Gravity Mechanical Manufacturing



Gravity has own workshop and production machineries to machine mechanical products.

Gravity Machinery Park

MACHINERY LIST		
POS	MACHINE TYPE	WORKING RANGE
1	CNC MILLING	X:700 Y:400 Z:500
2	CNC MILLING	X:1150 Y:650 Z: 650
3	CNC LATHE	Ø200 L:750
4	MANUAL LATHE	Ø500 L:2500
5	MANUAL LATHE	Ø160 L:1500
6	MANUAL MILLING	X:850 Y:300 Z:400
7	PLANE GRINDING	400X800
8	PRESS	30 TONS
9	DRILLING MACHINE	Ø18
10	TAPPING MACHINE	M4-M30
11	MIG WELDING MACHINE	380V 3 FAZ 50/60 HZ
12	AIR COMPRESSOR	300 LITERS 6 BAR
13	ELECTROD WELDING MACHINE	120 AMPER
14	ELECTROD WELDING MACHINE	200 AMPER
15	ELECTROD WELDING MACHINE	250 AMPER
16	PAINT SHOP	20 M2
17	ALUMINUM SAWING MACHINE	150mm

Gravity Automation



We realizing turn key projects starting from electrical design, manufacturing electric panel, electrical assembly and PLC programming.

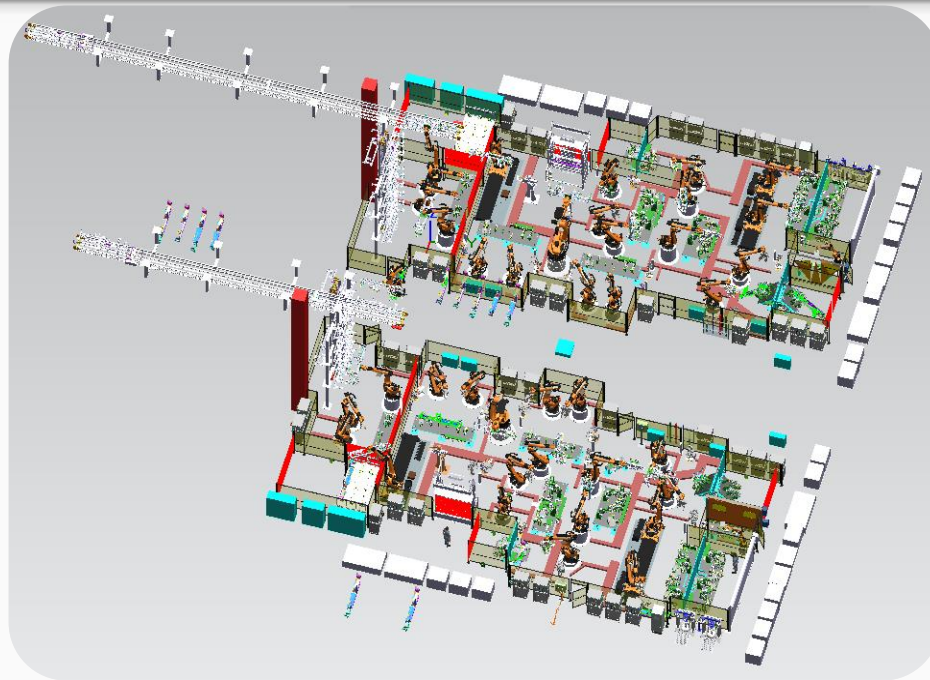
Gravity in Automation

- Project management and Engineering
- Plc Programming
- Electrical design
- Electrical installation

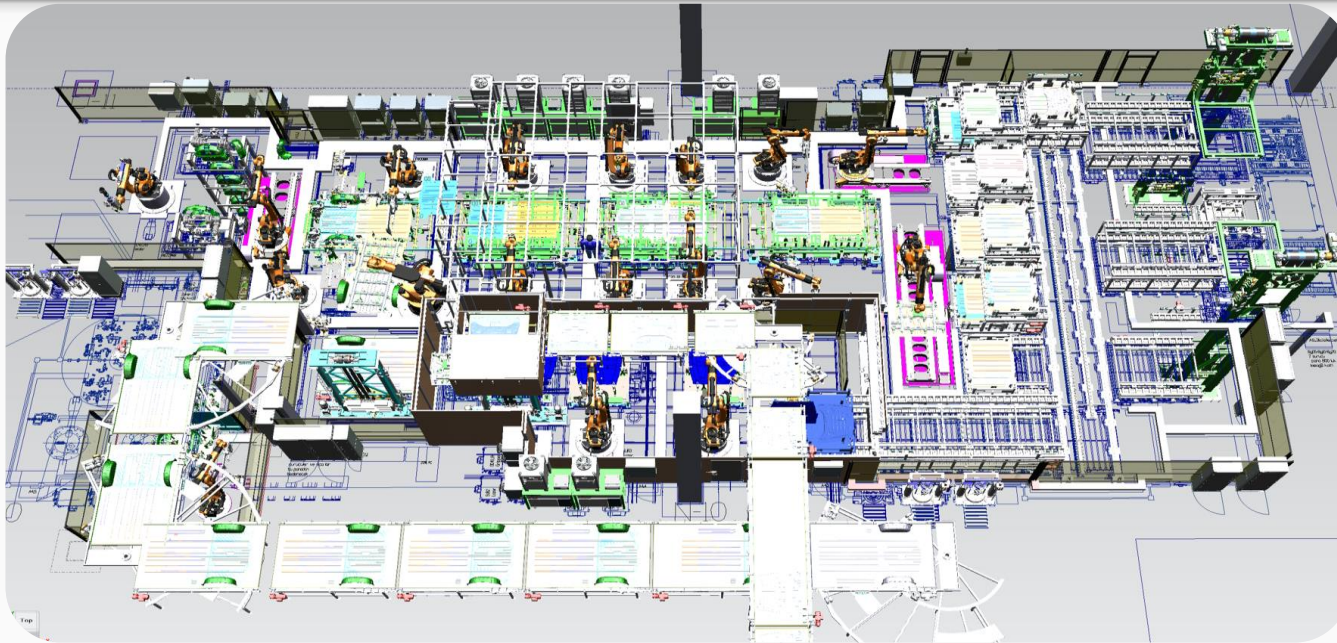
Gravity Projects (UB-Sub Assy Turn Key Project)



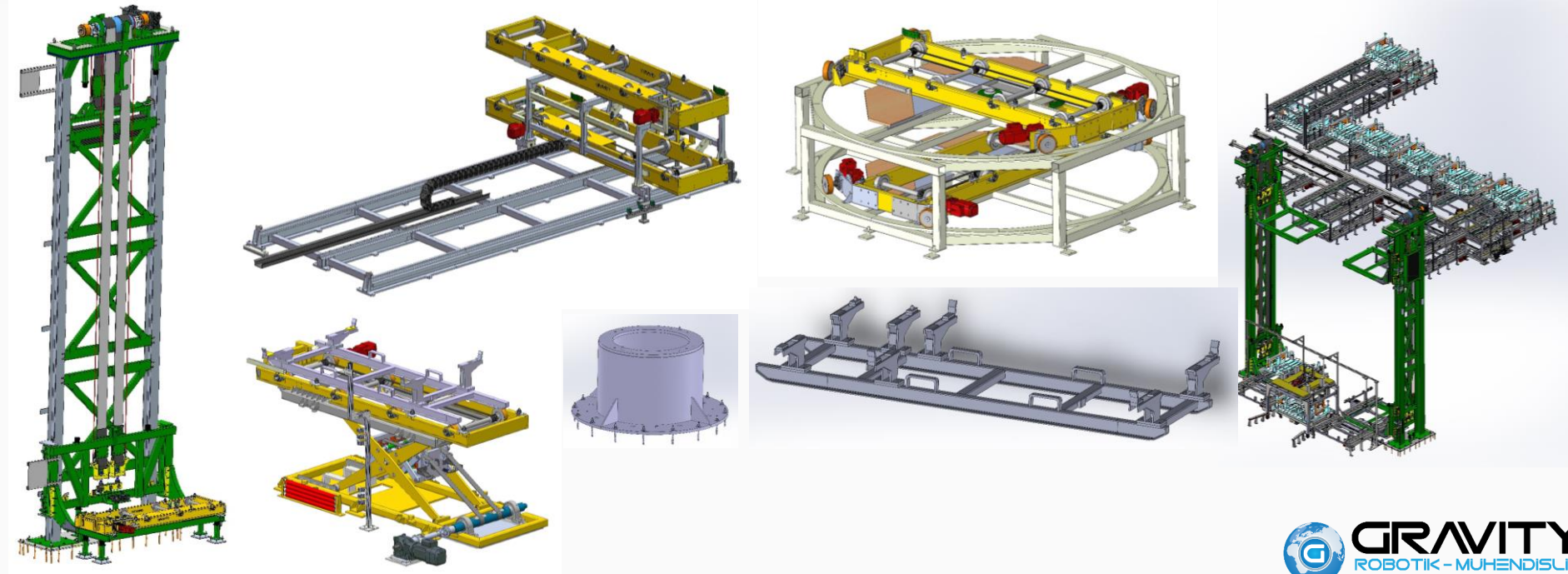
Gravity Projects (UB-Sub Assy Turn Key Project)



Gravity Projects (UB-Sub Assy Turn Key Project)



Gravity (Design&Production)



Gravity Robotic

Gravity Robotic is appreciated by many companies in Turkey with the projects it has successfully realized for many years.

You can see sample projects in Gravity Robotic's presentation.



DA Dynamic Automation GmbH
Am Kavalleriesand 5
64295 Darmstadt
c/o SleevesUp! Spaces

www.dynamic-automation.de
info@dynamic-automation.de